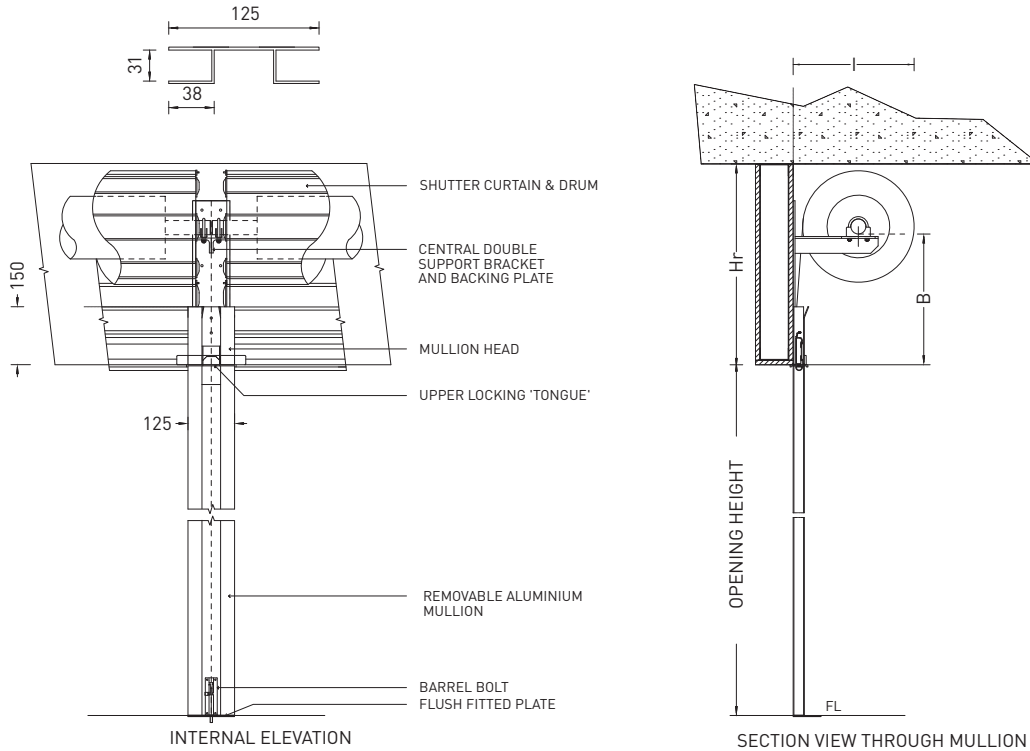


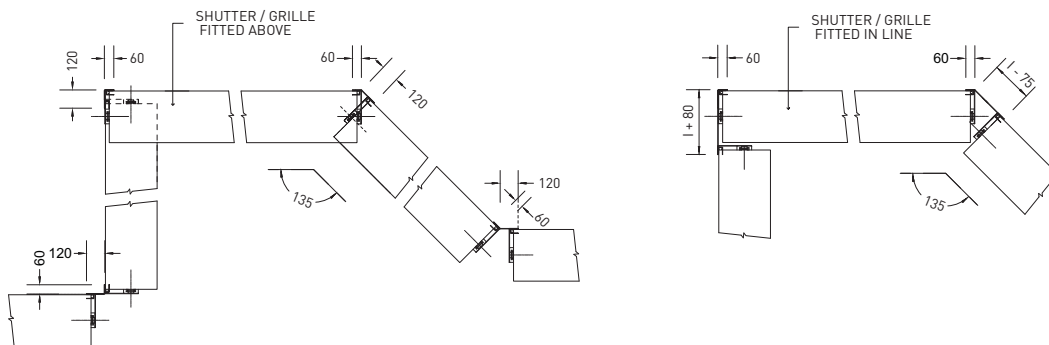
# Mullion

## Technical Specs: Aluminium / Timber Roller Shutters, & Aluminium Security Roller Grille



### TYPICAL CENTRAL REMOVABLE MULLION INSTALLATION

- Shown above is the removable aluminium Mullion available for the Series 63, Clearlite, Timber Roller Shutter and Aluminium Security Roller Grille.
- The building construction must have adequate structural support (400mm x 400mm at Mullion Head location) to support the Mullion Head and the two shutters. Overhead structure cannot sag or twist.
- Mullions have barrel bolts that latch into flush fitted floor plate.



### TYPICAL 90 & 135 DEGREE REMOVABLE MULLION INSTALLATIONS

- Shown above are corner removable aluminium Mullion configurations available for the Series 63, Clearlite and Aluminium Security Roller Grille.
- Where one Shutter / Grille fits above the other, the total minimum head room required is dimension 'I' plus 'Hr'.
- Other minimum dimensions of Mullions are as shown.
- The building construction must have adequate structural support (400mm x 400mm at Mullion Head location) to support the Mullion Head and the two shutters. Overhead structure cannot sag or twist.
- Removable Mullions have barrel bolts that latch into counter tops or floors as applicable.